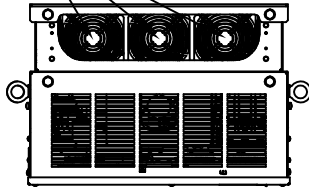
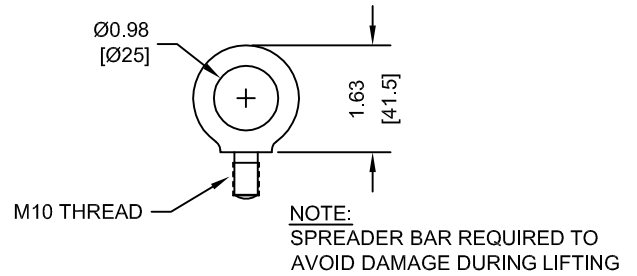


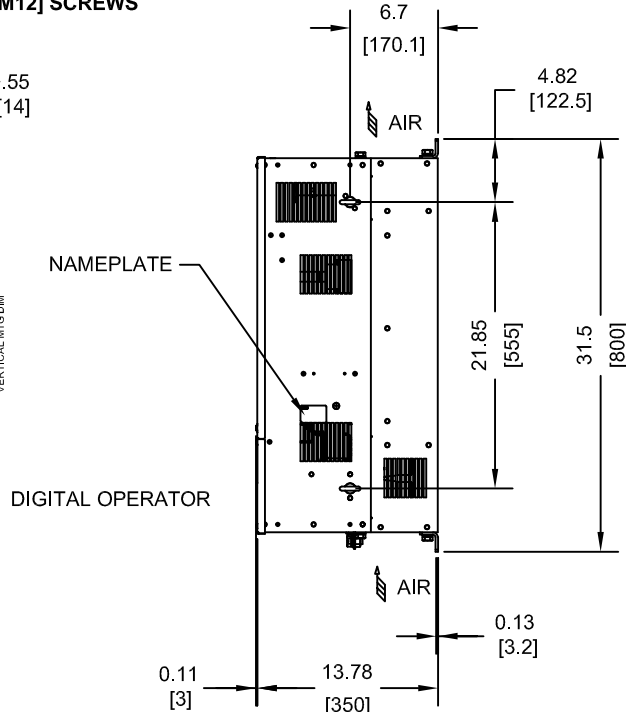
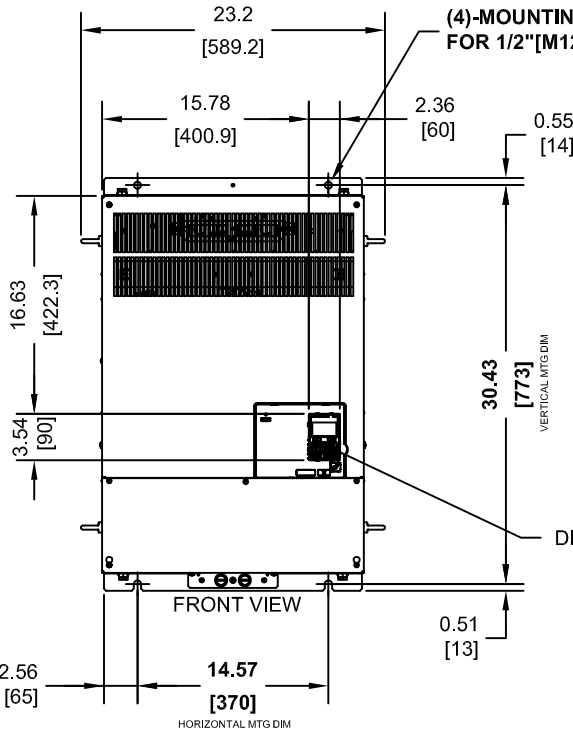
(3) EXTERNAL COOLING FANS



LIFTING AND EYEBOLT DETAILS



(4)-MOUNTING HOLES FOR 1/2" [M12] SCREWS



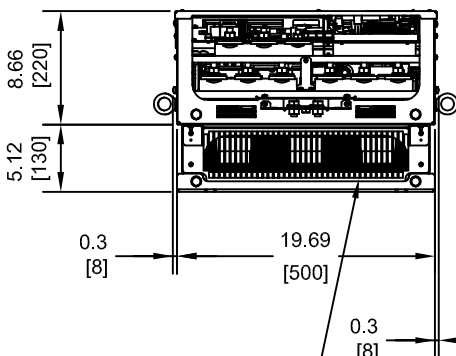
DIGITAL OPERATOR

NAMEPLATE

FRONT VIEW

HORIZONTAL MTD DIM

VERTICAL MTD DIM



OPTIONAL CAPACITOR COVER
WHEN USING AN EXTERNAL MOUNT HEATSINK, UL COMPLIANCE REQUIRES COVERING EXPOSED CAPACITORS IN THE MAIN CIRCUIT TO PREVENT INJURY. CONSULT MANUAL FOR DETAILS.

| MODEL # CIMR-AU | INPUT TYPE | VOLTAGE 3-PHASE (VAC) | OUTPUT CURRENT (A) | | WEIGHT LBS (Kg) | HEAT LOSS (W) | | | | | |
|--------------------|---------------|-----------------------------|-----------------------|-----|--------------------|---------------|------|------|-------------------|------|------|
| | | | ND | HD | | ND (Fc=2kHz) | | | HD (Fc=SEE NOTES) | | |
| | | | | | | INT | EXT | TOT | INT | EXT | TOT |
| 2A0360AXX | 6 PULSE | 200/240 | 360 | 346 | 216 (98) | 894 | 2698 | 3592 | 783 | 2564 | 3347 |
| 2A0415AXX | 6 PULSE | | 415 | 415 | 218 (99) | 954 | 2672 | 3626 | 954 | 2672 | 3626 |
| 4A0250AXX | 6 PULSE | 380/480 | 250 | 216 | 211 (96) | 803 | 2379 | 3182 | 715 | 2360 | 3075 |
| 4A0296AXX | 6 PULSE | | 296 | 260 | 224 (102) | 905 | 2448 | 3353 | 787 | 2391 | 3178 |
| 4A0362AXX | 6 PULSE | | 362 | 304 | 235 (107) | 1130 | 3168 | 4298 | 985 | 3075 | 4060 |
| 4T0250AXX | 12 PULSE | | 250 | 216 | 203 (92) | 729 | 2305 | 3034 | 663 | 2308 | 2971 |
| 4T0296AXX | 12 PULSE | | 296 | 260 | 203 (92) | 772 | 2308 | 3080 | 694 | 2295 | 2989 |
| 4T0362AXX | 12 PULSE | | 362 | 304 | 208 (95) | 874 | 3168 | 4042 | 788 | 3075 | 3863 |
| 5A0192AXX | 6 PULSE | 500/600 | 192 | 172 | 235 (107) | 769 | 2420 | 3189 | 648 | 2114 | 2762 |
| 5A0242AXX | 6 PULSE | | 242 | 200 | 235 (107) | 1131 | 3100 | 4231 | 896 | 2526 | 3422 |

NOTES:
XX DENOTES AA-ZZ

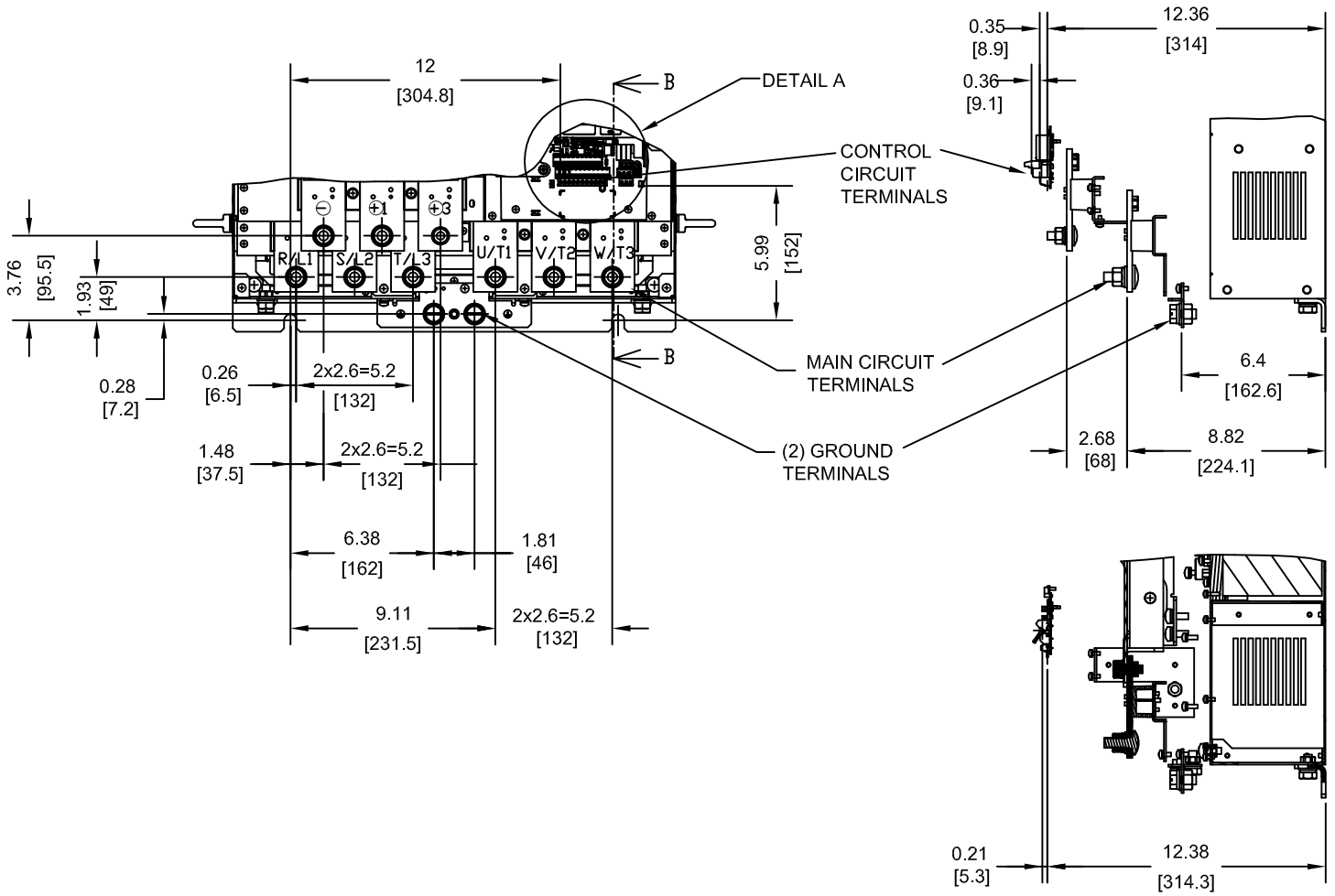
INT=INTERNAL COMPONENTS
EXT=EXTERNAL HEATSINK
TOT=TOTAL

FOR HD VALUES, CARRIER FREQ. IS SET TO:
Fc=5kHz FOR MODELS 2A0360A, 4A0250A, 4A0296A, 4T0250A, 4T0296A AND 4T0362A
Fc=2kHz FOR MODELS 2A0415A, 4A0362A, 5A0192A AND 5A0242A

FOR ADDITIONAL DETAILS AND SPECIFICATIONS, CONSULT MANUAL

| | | | | | |
|--|--|--|---|-------------------|--|
| TOLERANCES / REFERENCES: | | | DRAWN: J. MATTAS DATE: 11-4-10 | DATE: 11-4-10 | TITLE: A1000 DIMENSION DRAWING FRAME SIZE 12 IP00 ENCLOSURE 2A0360A-0415A, 4A0250A-0362A, 4T0250A-0362A, 5A0192A-0242A |
| UNITS: IN [mm] SCALE: 1:15 | | | CHECKED: J. PIOTROWSKI DATE: 12-14-10 | DATE: 12-14-10 | |
| THIS DOCUMENT AND INFORMATION CONTAINED IN IT ARE CONFIDENTIAL, AND CANNOT BE COPIED OR DISCLOSED IN WHOLE OR IN PART WITHOUT THE EXPRESS WRITTEN CONSENT OF YASKAWA AMERICA, INC. | | TECH: J. CAIRO DATE: 12-19-10 | DATE: 12-19-10 | SIZE: A | REVISION: R01 |
| | | APPROVED: T. SASADA DATE: 12-21-10 | DATE: 12-21-10 | PAGE: 1 of 5 | DRAWING #: DD.A1K.FR12.IP00 |

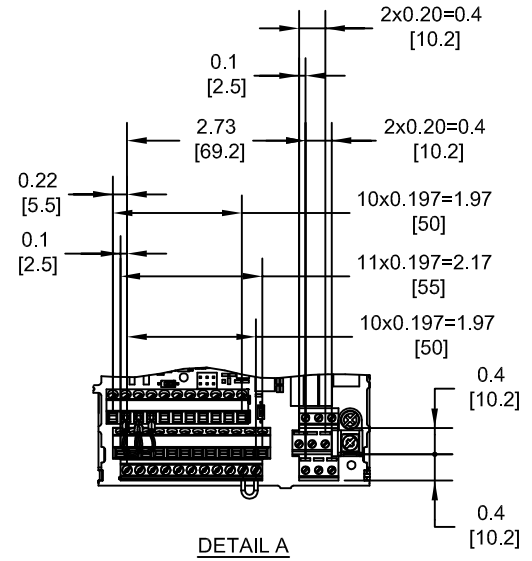
TERMINAL AND WIRING DETAILS (SCALE 1:8)
 AU2A0360A, AU2A0415A, AU4A0296A, AU4A0362A, AU5A0192A & AU5A0242A ONLY



TERMINAL AND WIRE SPECIFICATIONS FOR
 MAIN CIRCUIT AND GROUND

| MODEL # CIMR-AU | TERMINAL SYMBOL | TERMINAL SCREW | CLAMPING TORQUE lb.in.(N.m.) |
|--------------------|--------------------|-------------------|---------------------------------|
| 2A0360A | R/L1, S/L2, T/L3 | M12 | 283.2 TO 354.0 (32 TO 40) |
| 2A0415A | U/T1, V/T2, W/T3 | | |
| 4A0296A | ⊖, ⊕1 | M10 | 159.3 TO 203.6 (18 TO 23) |
| 4A0362A | ⊕3 | | |
| 5A0192A | ⊕ | M12 | 283.2 TO 354.0 (32 TO 40) |
| 5A0242A | ⊕ | | |

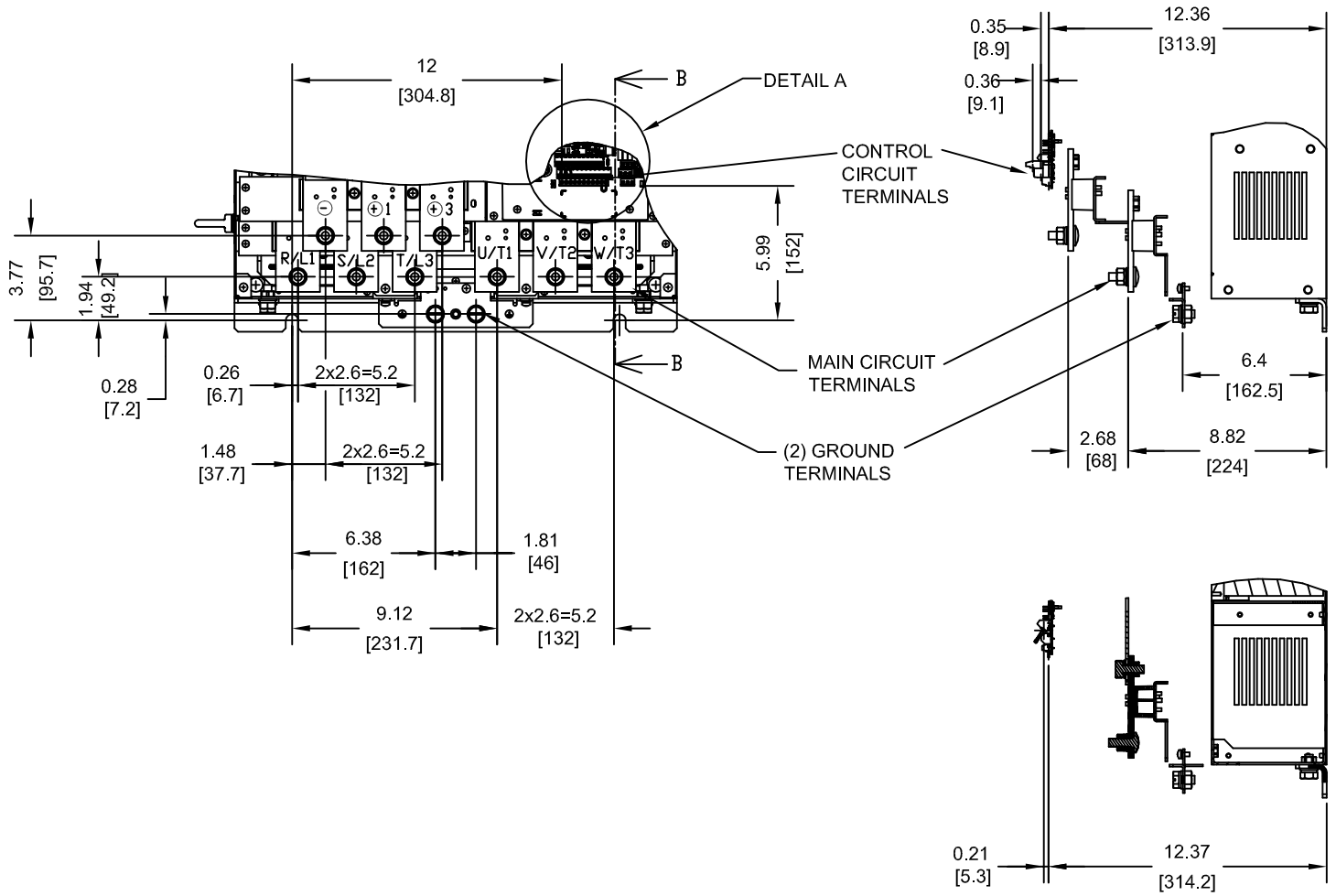
NOTE: REFER TO APPLICABLE CODES FOR PROPER WIRE TYPE AND SIZE



FOR ADDITIONAL DETAILS AND SPECIFICATIONS, CONSULT MANUAL

| | | | | | |
|--------------------------|--|--|---------------------------------------|-------------------|--|
| TOLERANCES / REFERENCES: | | | DRAWN: J. MATTAS 11-4-10 | DATE: 11-4-10 | TITLE: A1000 DIMENSION DRAWING FRAME SIZE 12 IP00 ENCLOSURE 2A0360A-0415A, 4A0250A-0362A, 4T0250A-0362A, 5A0192A-0242A |
| UNITS: IN [mm] | | | CHECKED: J. PIOTROWSKI 12-14-10 | DATE: 12-14-10 | |
| SCALE: BY VIEW | | THIS DOCUMENT AND INFORMATION CONTAINED IN IT ARE CONFIDENTIAL, AND CANNOT BE COPIED OR DISCLOSED IN WHOLE OR IN PART WITHOUT THE EXPRESS WRITTEN CONSENT OF YASKAWA AMERICA, INC. | TECH: J. CAIRO 12-19-10 | DATE: 12-19-10 | REVISION: R01 |
| | | APPROVED: T. SASADA 12-21-10 | DATE: 12-21-10 | PAGE: 2 of 5 | DRAWING #: DD.A1K.FR12.IP00 |

TERMINAL AND WIRING DETAILS (SCALE 1:8)
AU4A0250A ONLY

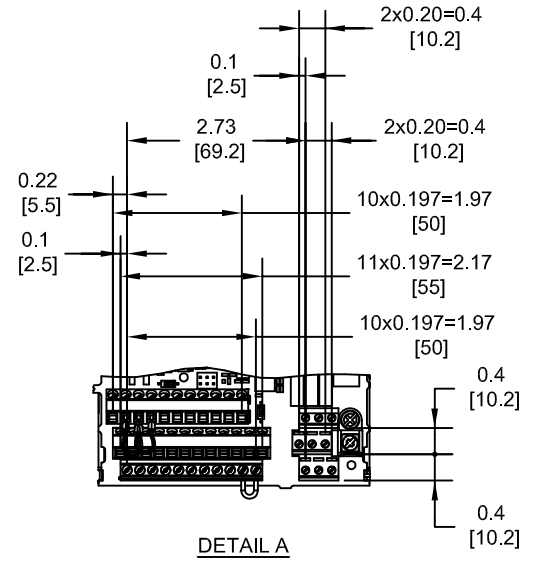


SECTION B-B

TERMINAL AND WIRE SPECIFICATIONS FOR
 MAIN CIRCUIT AND GROUND

| MODEL # CIMR-AU | TERMINAL SYMBOL | TERMINAL SCREW | CLAMPING TORQUE lb.in.(N.m.) |
|--------------------|--------------------|-------------------|---------------------------------|
| 4A0250A | R/L1, S/L2, T/L3 | M10 | 159.3 TO 203.6 (18 TO 23) |
| | U/T1, V/T2, W/T3 | | |
| | ⊖, ⊕1 | | |
| | ⊕3 | M10 | |
| | ⊕ | M10 | |

NOTE: REFER TO APPLICABLE CODES FOR PROPER WIRE TYPE AND SIZE

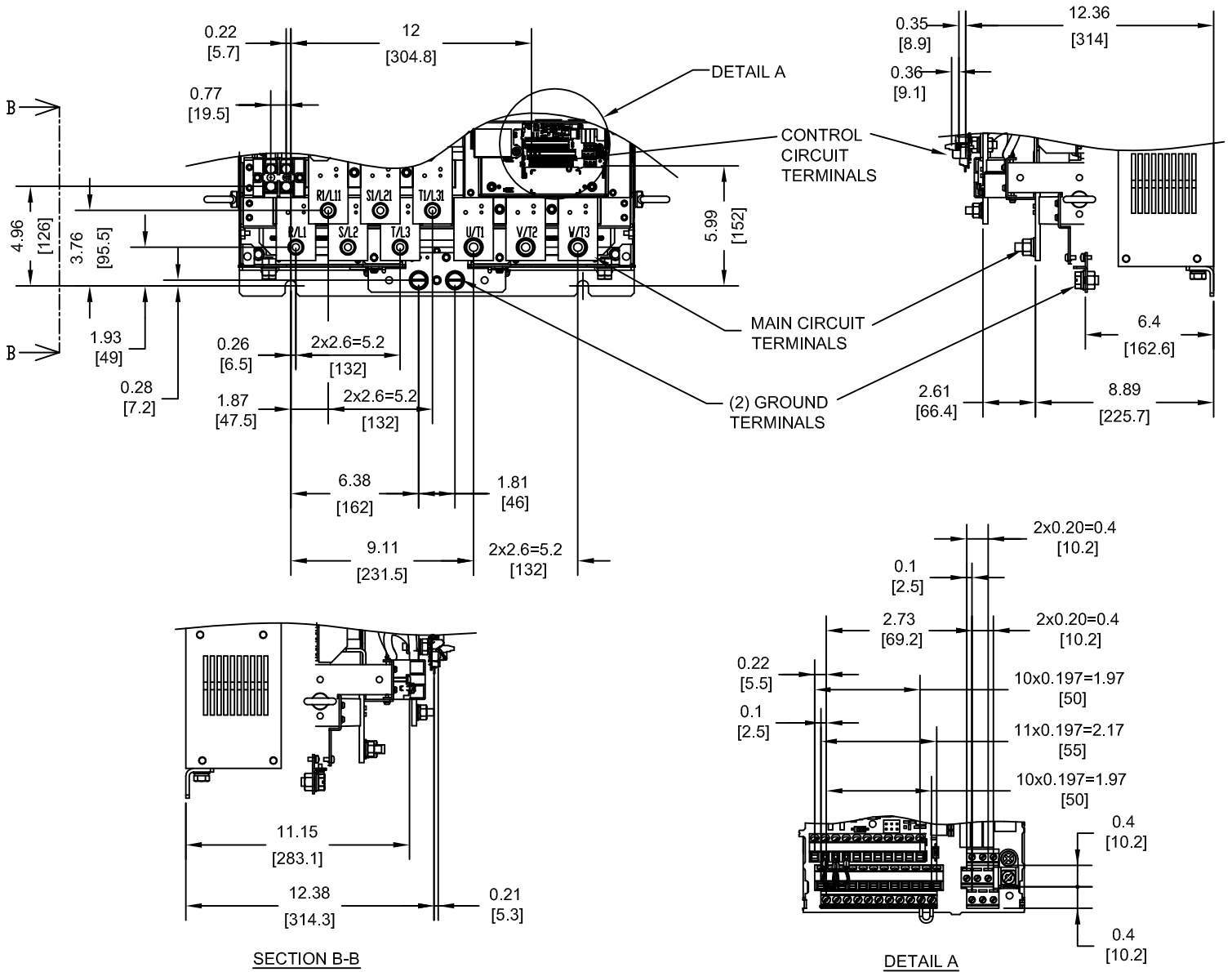


DETAIL A

FOR ADDITIONAL DETAILS AND SPECIFICATIONS, CONSULT MANUAL

| | | | | | | | |
|--|-------------------|------------------------|---------------------------|--|-----------------------------------|----------------|--|
| TOLERANCES / REFERENCES: | | | DRAWN: J. MATTAS | DATE 11-4-10 | TITLE: A1000 DIMENSION DRAWING | | |
| UNITS: IN [mm] | SCALE: BY VIEW | | CHECKED: J. PIOTROWSKI | DATE 12-14-10 | FRAME SIZE 12 IP00 ENCLOSURE | | |
| THIS DOCUMENT AND INFORMATION CONTAINED IN IT ARE CONFIDENTIAL, AND CANNOT BE COPIED OR DISCLOSED IN WHOLE OR IN PART WITHOUT THE EXPRESS WRITTEN CONSENT OF YASKAWA AMERICA, INC. | | TECH: J. CAIRO | DATE 12-19-10 | 2A0360A-0415A, 4A0250A-0362A, 4T0250A-0362A, 5A0192A-0242A | | | |
| | | APPROVED: T. SASADA | DATE 12-21-10 | SIZE A | REVISION R01 | PAGE 3 of 5 | |
| | | ORIGINAL DESIGN: - | DATE - | DRAWING #: DD.A1K.FR12.IP00 | | | |

TERMINAL AND WIRING DETAILS (SCALE 1:8)
 AU4T0250A, AU4T0296A & AU4T0362A ONLY



TERMINAL AND WIRE SPECIFICATIONS FOR
 MAIN CIRCUIT AND GROUND

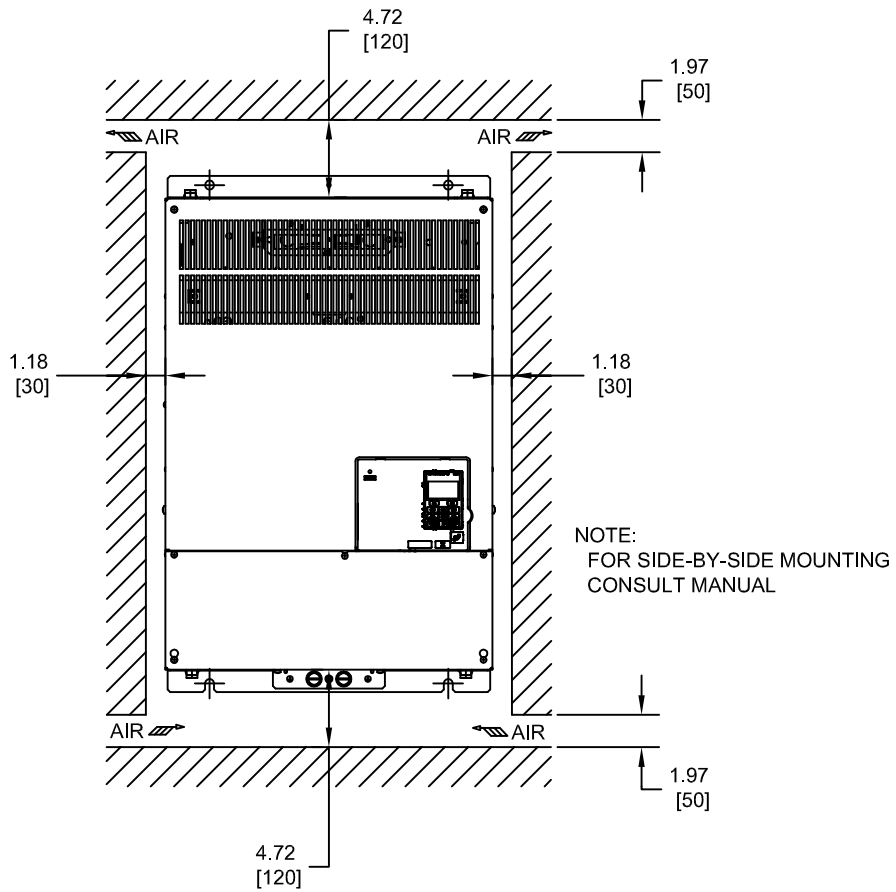
| MODEL # CIMR-AU | TERMINAL SYMBOL | TERMINAL SCREW | CLAMPING TORQUE lb.in.(N.m.) | WIRE RANGE AWG(mm ²) |
|--------------------|------------------------|-------------------|---------------------------------|-------------------------------------|
| 4T0250A | R/L1, S/L2, T/L3 | M10 | 159 TO 204 (18 TO 23) | SEE NOTE |
| | R1/L11, S1/L21, T1/L31 | | | |
| | U/T1, V/T2, W/T3 | | | |
| | ⊖, ⊕3 | M6 | 22.1 TO 26.6 (2.5 TO 3.0) | 22-1/0 (0.3-53.5) |
| 4T0296A 4T0362A | R/L1, S/L2, T/L3 | M10 | 159 TO 204 (18 TO 23) | SEE NOTE |
| | R1/L11, S1/L21, T1/L31 | | | |
| | U/T1, V/T2, W/T3 | | | |
| | ⊖, ⊕3 | M6 | 22.1 TO 26.6 (2.5 TO 3.0) | 22-1/0 (0.3-53.5) |
| | ⊕ | M12 | 283.2 TO 354.0 (32 TO 40) | SEE NOTE |

NOTE: REFER TO APPLICABLE CODES FOR PROPER WIRE TYPE AND SIZE

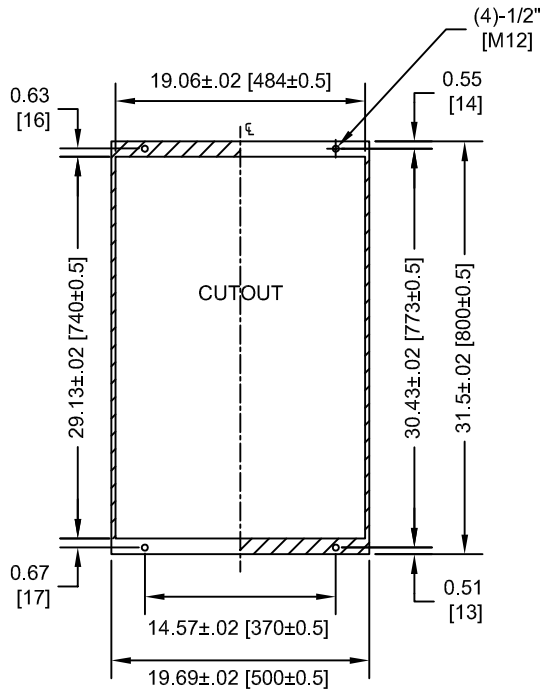
FOR ADDITIONAL DETAILS AND SPECIFICATIONS, CONSULT MANUAL

| | | | | | |
|--------------------------|-------------------|--|--|---|--|
| TOLERANCES / REFERENCES: | | | DRAWN: J. MATTAS CHECKED: J. PIOTROWSKI TECH: J. CAIRO APPROVED: T. SASADA ORIGINAL DESIGN: - | DATE: 11-4-10 DATE: 12-14-10 DATE: 12-19-10 DATE: 12-21-10 DATE: - | TITLE: A1000 DIMENSION DRAWING FRAME SIZE 12 IP00 ENCLOSURE 2A0360A-0415A, 4A0250A-0362A, 4T0250A-0362A, 5A0192A-0242A |
| UNITS: IN [mm] | SCALE: BY VIEW | | THIS DOCUMENT AND INFORMATION CONTAINED IN IT ARE CONFIDENTIAL, AND CANNOT BE COPIED OR DISCLOSED IN WHOLE OR IN PART WITHOUT THE EXPRESS WRITTEN CONSENT OF YASKAWA AMERICA, INC. | SIZE A | REVISION R01 |
| DRAWING #: | | | DD.A1K.FR12.IP00 | | |

MINIMUM INSTALLATION CLEARANCES (SCALE 1:12)



PANEL CUTOUT FOR EXTERNAL HEATSINK MOUNTING CONFIGURATION (SCALE 1:15)



NOTE:
EXPOSED HEATSINK DEPTH
D=5.12" MINUS PANEL THICKNESS

FOR ADDITIONAL DETAILS AND SPECIFICATIONS, CONSULT MANUAL

| | | | | | | | | |
|--------------------------|-------------------|--|---------------------------|-----------------------|-----------------------------------|---------------------------------------|--|-----------------|
| TOLERANCES / REFERENCES: | | | DRAWN: J. MATTAS | DATE: 11-4-10 | TITLE: A1000 DIMENSION DRAWING | | | |
| | | | CHECKED: J. PIOTROWSKI | DATE: 12-14-10 | FRAME SIZE 12 IP00 ENCLOSURE | | | |
| | | THIS DOCUMENT AND INFORMATION CONTAINED IN IT ARE CONFIDENTIAL, AND CANNOT BE COPIED OR DISCLOSED IN WHOLE OR IN PART WITHOUT THE EXPRESS WRITTEN CONSENT OF YASKAWA AMERICA, INC. | | | TECH: J. CAIRO | DATE: 12-19-10 | 2A0360A-0415A, 4A0250A-0362A, 4T0250A-0362A, 5A0192A-0242A | |
| UNITS: IN [mm] | SCALE: BY VIEW | APPROVED: T. SASADA | DATE: 12-21-10 | ORIGINAL DESIGN: - | DATE: - | SIZE: A | REVISION: R01 | PAGE: 5 of 5 |
| | | | | | | DRAWING #: DD.A1K.FR12.IP00 | | |